

Technical data for the IsoMed 2000 B and E series



# Technical data

	Standard	Optional
Torque, maximum, concentric/excentric	500Nm	700   750Nm
Torque, maximum at Emergency-Stop	1680Nm	1950Nm
Integrated electro-mechanic holding break	380Nm	-
Speed, minimum/maximum	2°/s   450°/s	1°/s   560°/s
Operating range, any segment of a circle up to	340°	-
Acceleration and deceleration, maximum	8500°/s <sup>2</sup>	11000°/s <sup>2</sup>
Max. motor capacity, 2,5s/10 minutes/unlimited	15/8/2.8 KW	20.5/11/2.8 KW
Torque measuring precision	0.25% FS	-
Torque resolution	0.0244% FS/12bit	0.0015% FS/16bit
Torque filter cutoff frequency	200Hz	1000Hz
Angle precision directly on driveshaft	0.035% FS < 0.125°	-
Reverse backlash in cycloid gearbox without backlash	0°	-
Stiffness at +/-175Nm, +/-350Nm, +/-500Nm	28/39/45(Nm/arc min)	-

## Installation conditions

### Power connection

Nominal voltage	3*380 - 410 VAC + N + PE +/- 10% with min. 2,5mm <sup>2</sup> wire cross sections*
Nominal frequency	50/60 Hz
Nominal current	3*16 A
Nominal power	Max 8 - 15 KW - depending on modell
Nom. fuse protection	Automatic circuit breaker 3*16 A - time delay
Nom. power connection	If not medically used via CEE 16 A wall socket. Otherwise fixed connection.
Nom. protection class	Protection class 1

### Wet areas

2 m minimum distance of wet areas (wash basin, shower, etc.) to electric control box

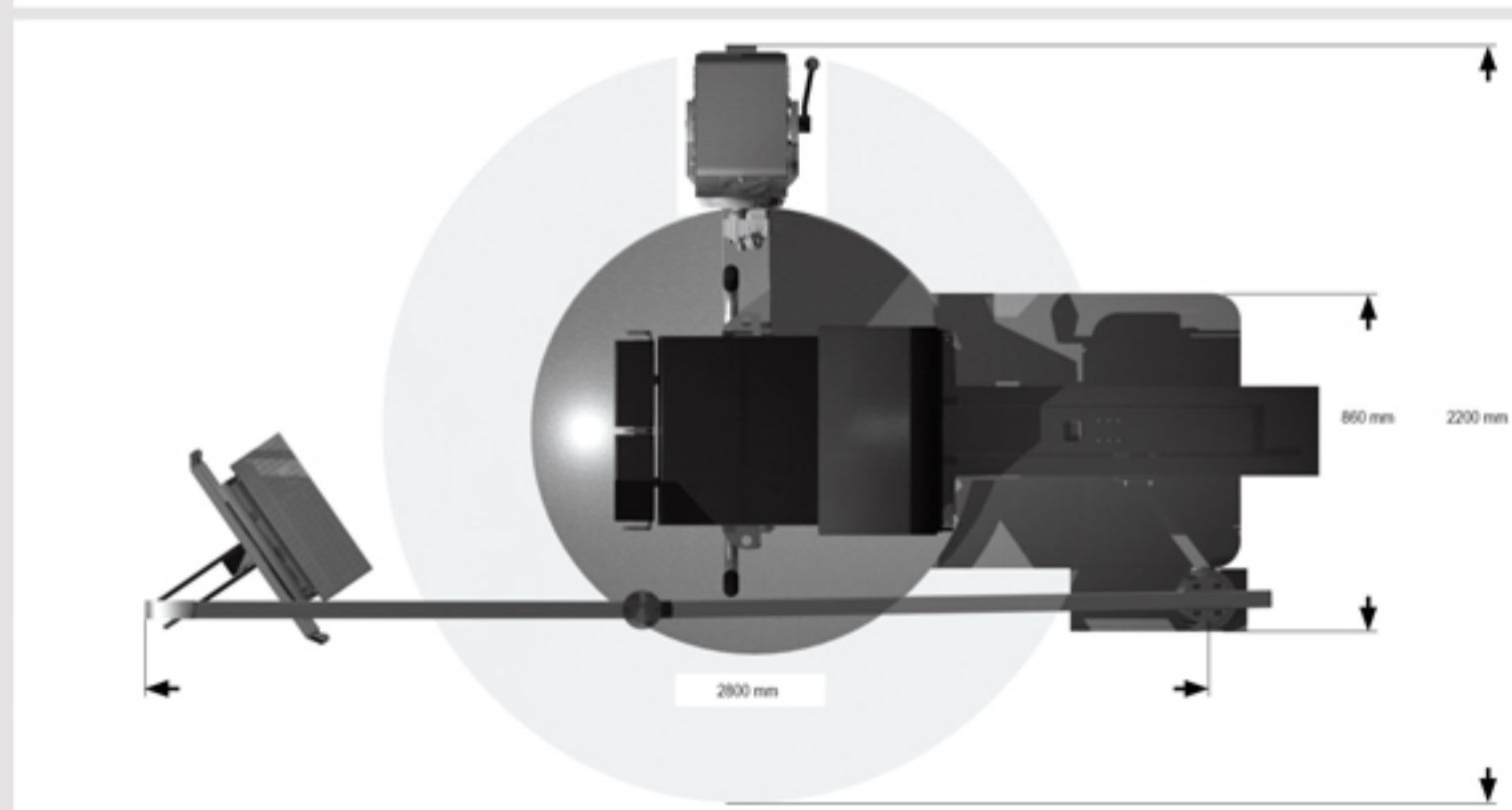
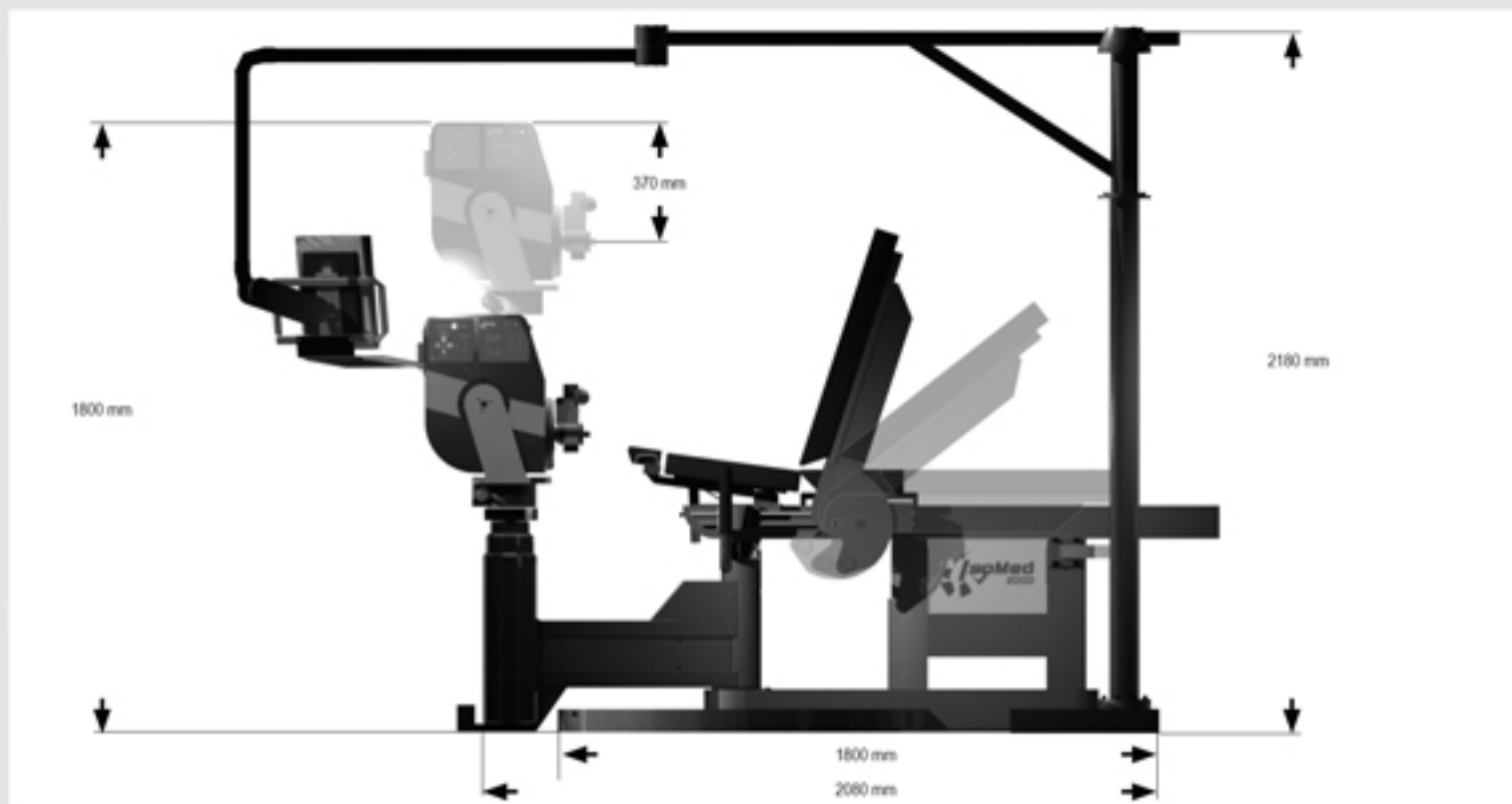
### Environmental conditions

Temperature	Suitable for storage: 10° - 45° C. Operable: 15° - 30° C
Humidity	20% to 80% relative humidity, no condensation
Air purity	Elevated dust concentration can reduce life time of ventilators

### Installation location statics

Overall weight is 680kg distributed over 2,6 m<sup>2</sup>. 150 kg/dm<sup>2</sup> maximum punctual load. Flat and stable floor surface required.\*\*

# Dimensions



D&R GmbH 93155 Hemau  
Gewerbering Ost 26  
+49-9491-3501